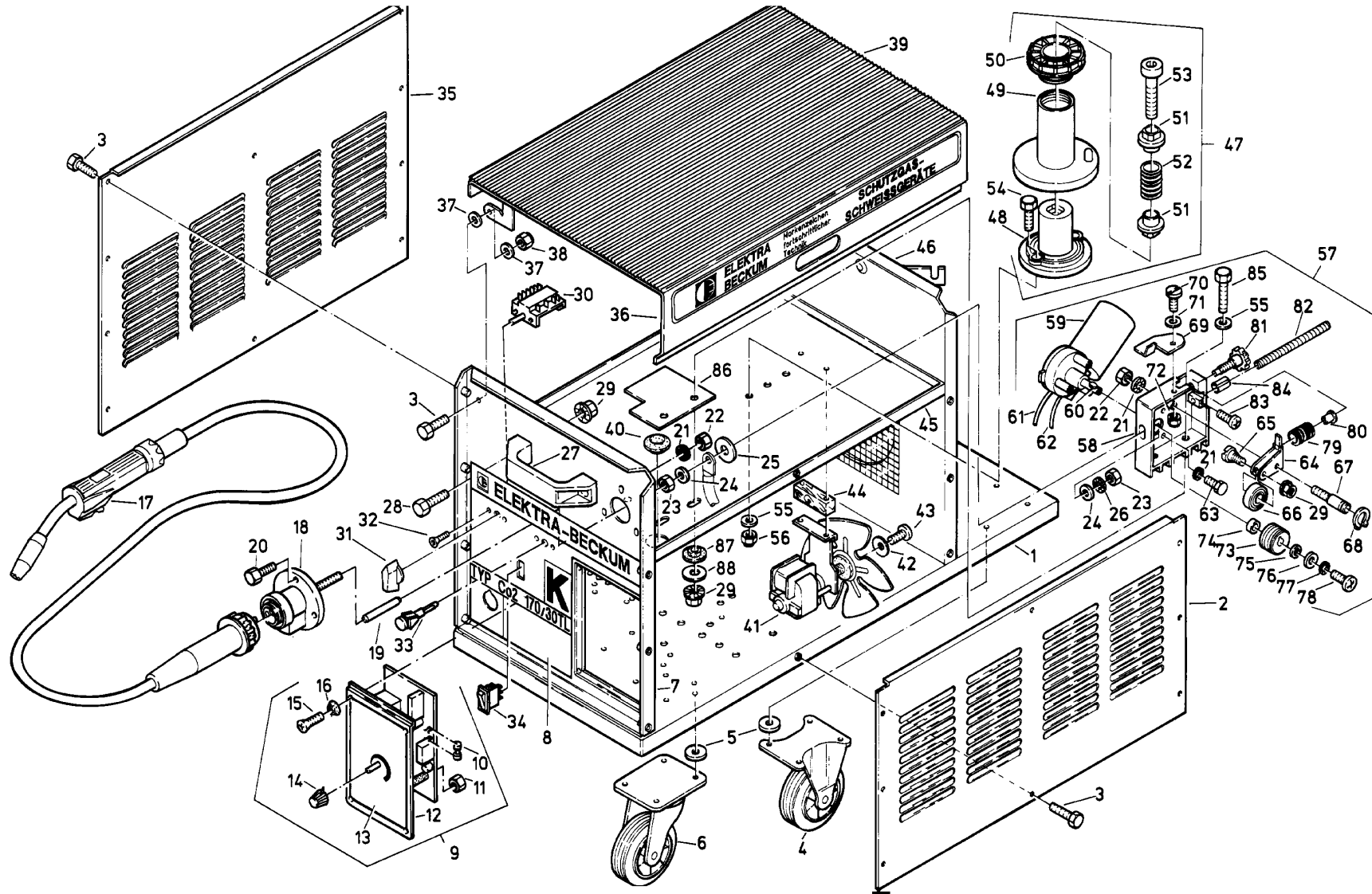
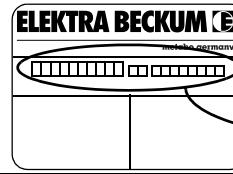
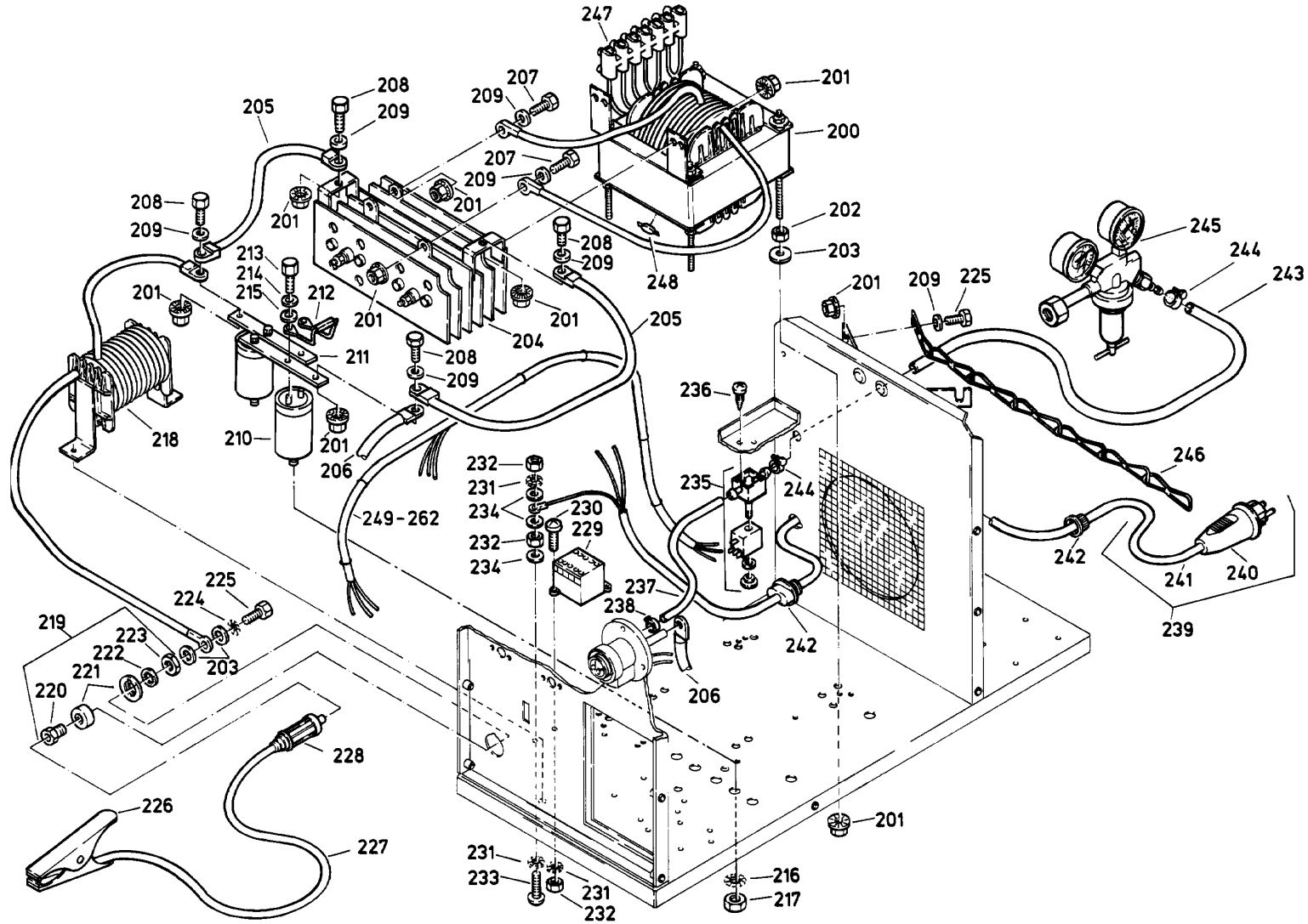
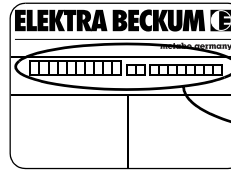
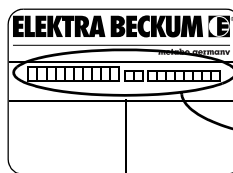


MIG MAG 170/30



MIG MAG 170/30

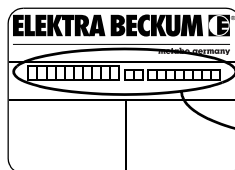




MIG MAG 170/30



A	B	C	D	A	B	C	D
1	1002003224	BOTTOM PANEL ASSEMBLY		39	7059043794	RUBBER MAT, GROOVED	3X370X595
2	1322069568	SIDE PANEL	BL 1,5X600X339	40	8241070868	GROMMET	RDA 200/280/20
3	6103001100	HEXAGON HEAD SCREW	M 5X12	41	8041065703	TURBO FAN	1X230 V 50 HZ
4	7271026930	RIGID PLATE CASTER	RD 100/35	42	6300016330	MEDIUM WASHER	A 4,3
5	6305002087	WASHER	A 6,4	43	6123002022	RAISED CHEESE HEAD SCREW	M 4X12
6	7271026921	SWIVEL PLATE CASTER	RD 100/35	44	1321068738	SPACER BLOCK	70X22X14
7	1322082157	SWITCH PANEL	BL 2X533X603	45	1322069533	CENTRE PANEL	BL 2X582X395
8	1106684762	NAMEPLATE SP		46	1002004204	REAR PANEL	
9	8106600695	PCB ELECTRONIC	MIT FREIBRENNZEIT	47	1321073880	ARBOR ASSEMBLY, SPOOL CARRIER	
10	8260106814	FINE-WIRE FUSE	5X20 / 2 A	48	1327112950	INNER ARBOR	
11	6200002197	HEXAGON NUT	M 4	49	1327112968	OUTER ARBOR	
12	1322068839	PCB SEAT	BL 1,5X130X200	50	1327112976	END CAP	
13	1141081086	ADHESIVE LABEL SILVER/BLACK	130X191	51	1327112984	SPRING COLLAR	
14	8190112323	SETTING KNOB, POTENTIOMETER	RD 20	52	1327112992	PRESSURE SPRING, SPOOL CARRIER	RD 3,5X26,5X40
15	6143109095	CROSS RECESSED FLAT HEAD SCREW	M 4X12	53	6121047932	HEXAGON SOCKET HEAD CAP SCREW	M 10X70
16	6341062550	ROSETTE, PLASTIC BLACK	814 F-R M4	54	6103001186	HEXAGON HEAD SCREW	M 8X20
17	0902009914	MIG/MAG WELDING TORCH	SB 14/3	55	6300016322	MEDIUM WASHER	A 8,4
18	1327033430	EURO CONNECTOR SOKKET		56	6202002305	HEXAGON NUT, PREV. TORQUE TYPE	M 8
19	1327114766	CAPILLARY TUBE	5X124 1,0	57	1002130056	WIRE FEED UNIT, PRE-ASSEMBLED	ROLLE RD 30
20	6103001135	HEXAGON HEAD SCREW	M 6X20	58	1320085213	CASING, WIRE FEED	
21	6304084047	SERRATED LOCK WASHER	A 6,4	59	8011130047	WIRE FEED MOTOR	24 V
22	6200002219	HEXAGON NUT	M 6	60	6720083831	WOODRUFF KEY	3X3,7
23	6200001395	HEXAGON NUT	M 10	61	8421006238	READY-MADE LEAD BLACK	1,5X350 (ALT 320)
24	6300034215	MEDIUM WASHER	A 10,5	62	8421006238	READY-MADE LEAD BLACK	1,5X350 (ALT 320)
25	6305002095	WASHER	A 10,5	63	6103001127	HEXAGON HEAD SCREW	M 6X12
26	6304084055	SERRATED LOCK WASHER	A 10,5	64	1322085814	BRACKET, PRESSURE ROLLER	BL 2X91X49
27	1321070619	HANDLE		65	6125085839	SLOTTED PAN HEAD SCREW	M 8X10
28	6103001178	HEXAGON HEAD SCREW	M 8X16	66	7100010180	DEEP GROOVE BALL BEARING	10X26X8
29	6209110995	FLANGE NUT	M 8	67	1325085858	AXLE, BRACKET	RD 8X33
30	8115071336	6-STEP SWITCH	1-POLIG	68	6400047330	RETAINING RING FOR SHAFTS	8X0,8
31	8190014909	SWITCH KNOB	G 23	69	1322085822	LEVER	BL 2X40X63
32	6131001540	CROSS RECESSED FLAT HEAD SCREW	M 4X10	70	6104124192	HEXAGON FIT BOLT	M 6X3,5X16
33	8601121000	CONTROL LIGHT	380 V	71	6302027860	WAVE SPRING WASHER	A 8
34	8111059692	SWITCH ON/OFF		72	6202002291	HEXAGON NUT, PREV. TORQUE TYPE	M 6
35	1322069550	SIDE PANEL	BL 1,5X600X439				
36	1002001167	LID ASSEMBLY					
37	6300016357	MEDIUM WASHER	A 5,3				
38	6202002283	HEXAGON NUT, PREV. TORQUE TYPE	M 5				

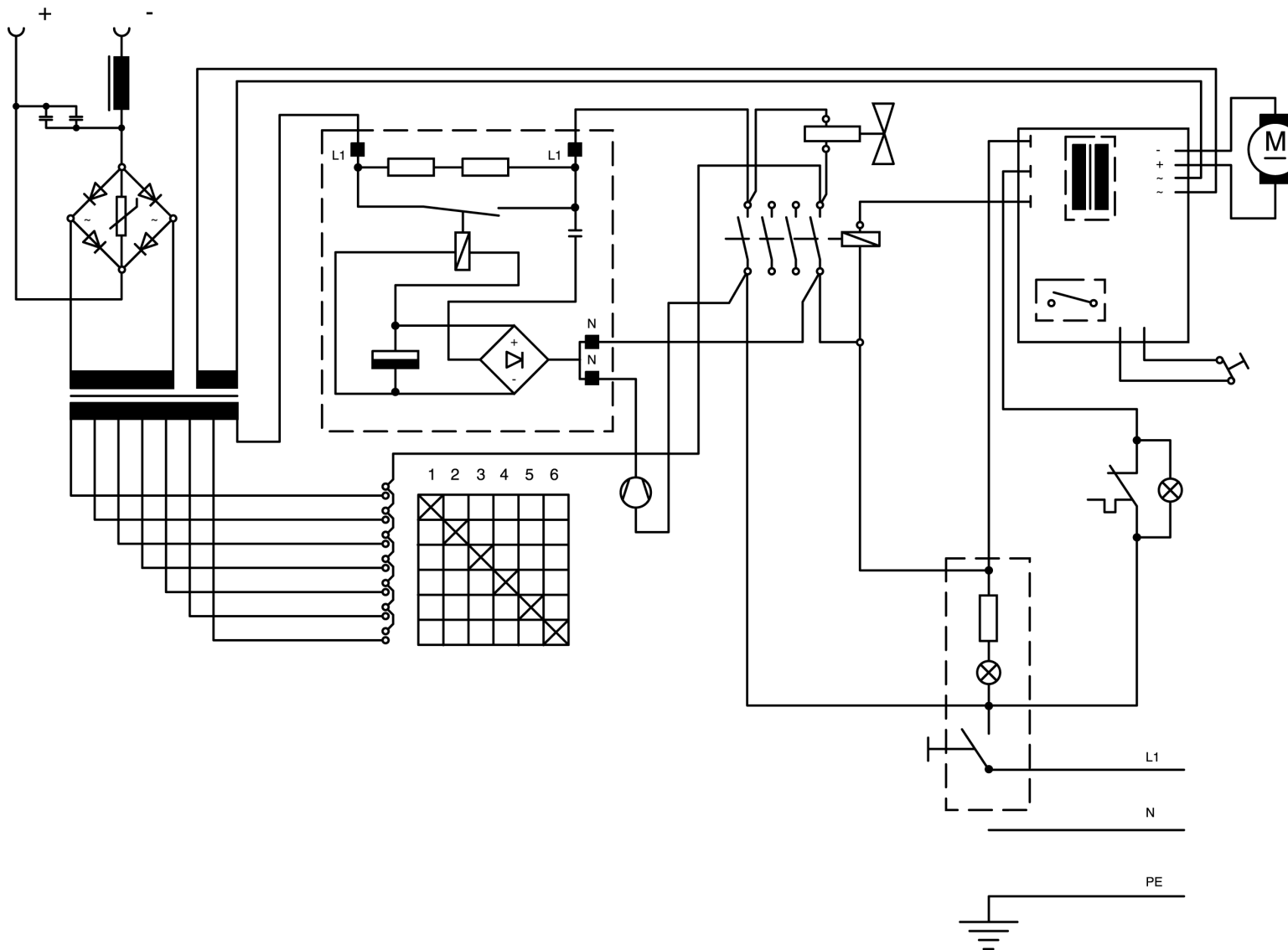
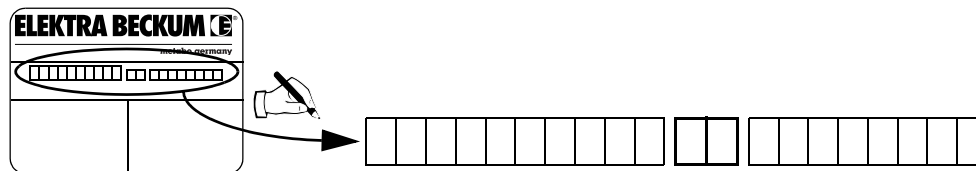


MIG MAG 170/30

A	B	C	D
73	1325154795	WIRE FEED ROLLER, HARDE- NED	RD 30X21
74	1325083731	SPACER BUSHING	RD 17X6
75	1325083723	SPACER BUSHING	RD 17X3,5
76	6305002478	WASHER	A 5,3
77	6304084020	SERRATED LOCK WASHER	A 4,3
78	6123002014	RAISED CHEESE HEAD SCREW	M 4X8
79	7051086532	PRESSURE SPRING	RD 2,5X12,5X25
80	1325085840	SPRING GUIDE	RD 17X10
81	7001085721	STARKNOB SCREW	M 10X33 (DIN 561)
82	1327071129	STEEL LINER	1,0-1,2 50 M
83	6123002049	RAISED CHEESE HEAD SCREW	M 5X12
84	6503088175	CLAMPING SLEEVE	6X12
85	6103001208	HEXAGON HEAD SCREW	M 8X35
86	1321068720	INSULATING BARRIER	1,5X100X130
87	1321006457	INSULATING WASHER	
88	6305002486	WASHER	A 8,4
200	1002684752	MAIN TRANSFORMER	230V
201	6209110995	FLANGE NUT	M 8
202	6200002235	HEXAGON NUT	M 8
203	6305002486	WASHER	A 8,4
204	8053075313	RECTIFIER STACK	B125/110-140
205	1002003488	READY-MADE LEAD BLACK	16X200 (ALT 180)
206	1002004530	READY-MADE LEAD BLACK	16X350
207	6103001194	HEXAGON HEAD SCREW	M 8X25
208	6103001178	HEXAGON HEAD SCREW	M 8X16
209	6300016322	MEDIUM WASHER	A 8,4
210	8050077960	CAPACITOR	22000uF 50X80
211	1322070663	CAPACITOR RAIL	BL 3X120X20
212	8051128720	RESISTOR	150 OHM 9 W
213	6103001100	HEXAGON HEAD SCREW	M 5X12
214	6304084039	SERRATED LOCK WASHER	A 5,3
215	6300016357	MEDIUM WASHER	A 5,3
216	6304084063	SERRATED LOCK WASHER	A 12,5
217	6200002251	HEXAGON NUT	M 10
218	1002004573	CHOKE	160/30
219	8215071309	PANEL SOCKET ASSEMBLY	25 MM2
220	1327112933	SOCKET	25 MM2
221	1327112925	HOUSING, RECESS MOUN- TED SOCKET	25
222	6304112342	SERRATED LOCK WASHER	A 14,5

A	B	C	D
223	6209112947	HEXAGON THIN NUT	M 14 FEINGEW.
224	6304001745	SERRATED LOCK WASHER	A 8,4
225	6103001186	HEXAGON HEAD SCREW	M 8X20
226	1327037923	EARTH CLAMP	200A M 6
227	8406037976	WELDING CABLE	16 MM2
228	8215037887	CABLE PLUG	25 MM2
229	8104073825	CONTACTOR	230 V 40-60 HZ
230	6123002022	RAISED CHEESE HEAD SCREW	M 4X12
231	6304084020	SERRATED LOCK WASHER	A 4,3
232	6200002197	HEXAGON NUT	M 4
233	6120000126	SLOTTED CHEESE HEAD SCREW	M 4X20
234	6300016330	MEDIUM WASHER	A 4,3
235	1002185713	SOLENOID VALVE	
236	6172001791	CROSS REC'D PAN HEAD TAP.SCREW	ST 3,9X9,5-C-H
237	7851078317	PLASTIC HOSE	RD 6X1
238	7811053230	HOSE CLAMP	S 8/7 - ZY
241	8403103978	CABLE, RUBBER JACKET	ENDLOS
242	8240015090	STRAIN RELIEF	ZEV 9-12/PG 11
243	7850081152	BRAIDED PRESSURE HOSE	RD 6X1500
244	7811116402	HOSE CLAMP	SM 9 10 C-W1
246	7236070870	KNOTTED LINK CHAIN	680 MM
247	8216103921	TERMINAL BLOCK	6 MM2
248	8102000219	THERMAL OVERLOAD SWITCH	R 20 130 GRAD
249	8421076015	READY-MADE LEAD BROWN	1,5X450 (ALT 420)
262	1002011774	TWIN LEAD, BLACK	L=550/290

MIG MAG 170/30



Country; Company; Address 1; Address 2; City; Phone; Fax; E-mail

Albania; Extra Industrial Goods; Rl. Fadil Rada 88; ; Tirana; (+355) 42 - 3 30 62; (+355) 42 - 3 30 62; abeqiri@t-online.de
Algerie; Haddad Equipement Professionne; 98 A, Site du Lycée; ; 16012 Rouiba; (+213) 21 - 85 49 05; (+213) 21 - 85 57 72;
Argentina; Metabo Argentina S.A.; Teniente Gral. Richieri 4773; ; 1702 - Ciudadela - Buenos Aires; (+54) 11 - 44 88 - 9180; (+54) 11 - 44 88 - 39 89; info@metabo.com.ar
Australia; Metabo Pty. Ltd.; 10 Dalmore Drive; ; Scoresby, Melbourne, Vic. 3179; (+61) 3 - 97 65 01 99; (+61) 3 - 97 65 01 89; sales@metabo.com.au
Bahrain; AL-MAHROOS; P.O. Box 65, Manama; ; Bahrain; (+973)40 06 96; (+973)40 43 23; almahros@batelco.com.bh
Bangladesh; East Bengal Impex; 175, Nawabpur Road (4th floor); ; Dhaka; ; (+880) 2 - 9 56 94 77 / 9 55 04 00;
Belgique; Metabo Belgium; 't Hofveld 3 - 5; ; 1702 Groot Bijgaarden; (+32) 2 - 4 67 32 10; (+32) 2 - 4 66 75 28; general@metabo.be
Bosnia and Herzegovina; Agrarkombinat; Majevicica 1; ; Banja Luka; (+387) 51 - 302 718; (+387) 51 - 785 708; agrokombinat@blic.net
Brazil; Metabo do Brasil Ltda.; Rua Guicurus 306 - Vila Conceicao; ; Diadema - Sao Paulo - Cep 09911-630; (+55) 11 - 40 51 - 25 11; (+55) 11 - 4056 - 4152; metabo@metabo.com.br
Ceska Republica; Metabo s.r.o.; Kralovicka 544; ; 250 01 Brandys nad Labem; (+420) 202 - 80 44 55; (+420) 202 - 80 44 56; mlanda@metabo.cz
Chile; Nordchil S.A.; San Diego 895; ; Santiago de Chile; (+56) 2 - 6 72 29 11; (+56) 2 - 6 99 04 85; empresa@nordchil.cl
Costa Rica; Capris S.A.; Frente la Imprenta Nacional, La Uruca; P.O. Box 7-2400; San José; (+506) 2 32 91 11; (+506) 2 32 93 53; webmaster@capris.co.cr
Cyprus; Med Marketing Ltd. (eurotools); P.O. Box 27017; 17, Digenis Akritas Ave; 1641 Lefkosa, Cyprus; (+357) 2 - 34 95 77; (+357) 2 - 34 93 94; condam@spidernet.com.cy
Danmark; Metabo Danmark A/S; Helgeshoj Allé 12; ; 2630 Tastrup; (+45) 43 - 31 34 00; (+45) 43 - 31 34 01; scarstensen@metabo.dk
Deutschland; Metabowerke GmbH, Business Unit Elektra-Beckum; Daimlerstr. 1; ; 49716 Meppen; 0180 - 3 33 34 56; 0180 -3 33 34 57; Ersatzteilverkauf@elektra-beckum.de
Eestlane; A/S MECRO; Peterburi tee 44; ; 11415 Tallinn; (+372) 620 11 11; (+372) 620 11 12; mecro@mecro.ee
Egypt; EGYPTIAN ENGINEERING AGENCIES; 16 Naguib El-Rihani Street; ; Cairo; (+20)2 -25 91 32 77; (+20)2 -25 90 02 23; eea@eea.co.eg
El Salvador; Metabo S.A. de C.V.; Colonia Santa Clara, Pasaje C No. 20; Cuscatancingo; San Salvador; (+503) 2 - 38 47 65; (+503) 2 86 52 36; metabo1@telesal.net
Espana; Herramientas Metabo S.A.; Polígono Ind. Prado del Espino; C/Forjadores, 12; 28660 Boadilla del Monte (Madrid); (+34) 91 - 6 32 47 40; (+34) 91 - 6 32 41 47; wbuhrle@metabo.es
Ethiopia; SUTCO Pvt. Ltd. Co.; P.O. Box 17924; ; Addis Ababa; (+251) 1-51 27 58; (+251) 1-51 50 82; sutco@telecom.net.et
Finland; NOFA O.Y.; Hannuksentie 1; O.O. Box 28 ; 02270 Espoo; (+358) 9-804861; (+358) 9 - 803 9485; reijo.helenius@nofa.fi
France; LUREM MACHINES A BOIS S.A.; BP 1 ; ; 61700 Domfront; (+33)2 33 37 57 19; (+33)2 33 37 25;
Ghana; Emmnock Tradingcompany Ltd.; Knutsford. Avenue opp. Morocco House; P.O. Box 1783; Accra; (+233) 21 - 66 39 94; (+233) 21 - 78 02 90;

Great Britain; Metabo (UK) Ltd.; 25 Majestic Road ; Nursling Industrial Estate; Southampton / SO 16 OYT; (+44) 2380 - 73 20 00; (+44) 2380 - 74 75 00; info@metabo.co.uk
Guatemala; Almacen la Palma S.A.; 2a Calle 4-38, Zona 9; ; Guatemala Ciudad, 01009; (+502) 3 32 47 24; (+502) 3 32 47 81; almpalma@amigo.net.gt
Hong Kong; Jebesen & Co. Ltd. ; 9/F, Jebesen Motor Group Building; 924-926 Cheung Sha Wan Road; Kowloon / Hong Kong; (+852) 29 26 22 00; (+852) 28 82 19 78; rileytam@mail.jebesen.com.hk
Iceland; ASBORG S.F.; Smidjuvegi 11; ; 200 Kopavogi; (+354) 5 641212; (+354) 5 641135; asborg@centrum.is
India; Metabo Power Tools PVT Ltd.; Plot No. 40, WMDC Industrial Complex; Ambethan Road, Kharabwadi; Chakan, Tal.: Khed, Dist.-Pune(Pin410 501); (+91) 213 - 55 22 03; (+91) 213 - 55 21 61;
Indonesia; P.T. Kawan Lama Sejahtera pt; Gedung Kawan Lama Jl. Puri Kencana No. 1; Meruya - Kembangan; Jakarta 11610; (+62) 21 - 5 82 82 82; (+62) 21 - 5 82 55 88; kawanlama@kawanlama.com
Israel; Proter + Cohn Ltd; Technical Supply P.O.Box 33215 / 3; Haatzmaut Road; 33033 Haifa; (+972) 4 - 8 64 04 69; (+972) 4 - 8 67 18 03; dubovskiy@matav.net.il
Italia; Carlo Stechel & Figli S.r.l; Via Buozzi, 22; ; 20 097 San Donato Milanese (MI); (+39) 02 - 52 77 71; (+39) 02 - 55 60 03 22; cstechel@stechel.it
Japan; Metabo Japan Co., Ltd.; 5-1024-3, Baigou, Ohme-city; ; Tokyo 198-0063; (+81) 4 - 28 77 05 06; (+81) 4 - 28 77 05 07;
Jordan; Newport Trading Agency; P.O.Box 6166 / 151 Hashimi Str.; City Center; Amman 111 18; (+962) 6 - 465 56 80; (+962) 6 - 464 54 39; jsakkab@nta.com.jo
Kingdom of Saudi Arabia; Saudi Industrial Tools Corporation; Madinah Road, Kilo 9; P.O.Box 11429; Jeddah 21453; (+96) 62 - 6 82 04 58; (+96) 62 - 6 91 12 67; sitaco@sitaco.com.sa
Kuwait; Naser Moh. Al-Sayer ; Gen. Trading & Contracting Co.; P.O. Box 663 SAFAT; 13007 State of Kuwait; (+965) 47 47 137; (+965) 47 47 945; Alsayer_electro@hotmail.com
Malaysia; Finetools SDN BHD; No. 7 Jalan 1/92C; Batu 3 1/4 Jalan Cheras; 56100 Kuala Lumpur; (+60) 3 - 92002966 / 92003966; (+60) 3 - 92007599; finetools@pd.jaring.my
Malaysia; LINTREX (Malaysia) SON; BHD.; 68100 BATU Caves, Box S 24 Sentul; ; 51700 Kuala Lumpur; (+60)3 - 6 18 88 88; (+60)3 - 6 17 66 16;
Malta; G + T Imports Limited; Metabo Shop, Birkirkara By-Pass; ; Iklm BZN 11; (+356) 43 54 24; (+356) 41 73 58; gtimports@mail.global.net.mt
Mauritania; S.T.A.F; B.P.: 40246; ; Nouakchott; (+222) 525 33 85; (+222) 525 14 09; STAF@topotechnology.mr
Mauritius; Dema - Supplies Ltd.; 2A Deschartres Street; ; Port Louis; (+230) 2 12 64 05; (+230) 2 10 74 57; dema@intnet.mu
Morocco; Sté Yyes Rouger; 20 Bd. Ibn Tachfine; ; 20300 Casablanca; (+212) 2 31 25 06; (+212) 2 - 31 24 62;
Nederland; Metabo Nederland b.v.; Postbus 180; ; 3620 AD Breukelen; (+31) 3462 - 6 42 44; (+31) 3462 - 6 35 54; verkoop@metabo.nl
New Caledonia; Ets. Szemmelveisz; 3, Rue Fernand Forest; Boite Postale 668; 98845 Nouméa; (+687) 27 20 02; (+687) 27 30 94; szemmelveisz@canl.nc
New Zealand; Tooline Limited; 50 Disraeli Street; P.O. Box 798; Christchurch; (+64) 3 - 36 55 931; (+64) 3 - 36 55 932; hamish@metabo.co.nz
Norway; Metabo Norge AS; Postboks 1296; ; 3205 Sandefjord; (+47) 33 - 44 55 55; (+47) 33 - 44 55 50; psteingrimsen@metabo.no
Paraguay; Taguato S.A.; Avda.Gra.Santos No. 1948/Tte. Garay; ; Asuncion; (+595) 981 - 43 15 13; (+595) 21 - 33 36 77; taguato@conexion.com.py
Philippines; Mach Tools Inc.; 185 A & B del Monte Avenue; ; Manresa, Quezon City; (+63) 2 - 3 63 01 59; (+63) 2 - 3 61 48 41; nancytanyu@speedsurf.pacific.net.ph

Polska; Metabo Polska Sp. z o.o.; Gdynska 28; ; 73-110 Stargard Szczecinski; (+48) 91 - 5 78 11 95; (+48) 91 - 5 78 07 76; serwis@metabo.pl
Portugal; BOLAS-Maq. e Ferramentas de Qualidade, S.A.; Rua B, Lotes 8-10-12; Apartado 53; 7000-171 Evora Codex; (+351) 266 - 74 93 00; (+351) 266 - 74 93 09; bolas@mail.telepac.pt
Qatar; Gulf Incon; P.O.Box 4076; ; Doha; (+974) 4 68 35 11; (+974) 4 68 40 65; ganesh@gulfincon.com
Rep. de Panamá; German-Tec (Panamá) S.A.; Via Argentina 46-70; Apartado 342, Zona 9-A; Panamá; (+507) 2 23 77 05; (+507) 2 69 18 66; germante@cableonda.net
Republic of South Africa; Metabo Power Tools SA (Pty.) Ltd.; 165 Van DER BIJL STREET; MEADOWDALE - Germiston; Johannesburg; (+27) 11 - 372 - 96 00; (+27) 11 - 453-41 63; ebotha@metabo.co.za
Republica Dominicana; Agroindustrial Ferrerera S.A.; Av. Luperon No. 42; ; Santo Domingo; (+1) 809 - 531 50 80; (+1) 809 - 531 53 38; jgarcia@agroindustrialferrerera.com
Rumania; Agent Trade S.R.L.; Splaiul Unirii 235-237; ; 74299 Bucuresti 3; (+40) 1 - 3 20 31 41; (+40) 1 - 3 20 31 42; agent@dial.kappa.ro
Russia; OOO ITA-Strojinkom; Uliza Alabjana 3; ; 125057 Moskau; (+7) 095 - 198 43 14/198 17 13; (+7) 095 - 198 43 14; metabo_service@mail.ru
Schweiz; Metabo (Schweiz) AG; Lindauerstr. 17; ; 8317 Tagelswangen; (+41) 52 - 3 54 34 44; (+41) 52 - 3 54 34 45; service@metabo.ch
Singapore; HOMELY HARDWARE PTE LTD; No. 1 Ubi Crescent #01-01; Number One Building; Singapore 408563; (+65) 7 48 28 66; (+65) 7 45 38 72; sales@homely.com.sg
Slovenia; Dilex d.o.o.; Ogrinceva 17; ; 1000 Ljubljana; (+386) 61 - 1 68 16 20; (+386) 61 - 1 68 16 16; metabo@dilex.si
South Korea; Metabo-Korea Co. Ltd.; Room No. 101, Daesung Building; 263-1 Ipchung-Dong, Chung-Gu; Seoul; (+82) 2 - 22 76 09 14/5; (+82) 2 - 2 78 62 62; kwlee@metabokorea.co.kr
St. Lucia; Eurotools Int'l Ltd; P.O.Box RB 2484; Rodney Bay, Gros Islet, West Indies; Santa Lucia; (+1)758 - 452-99 14; (+1)758 - 452-99 15; eurotools@candw.Lc
Sultanate of Oman; AHMED RAMADHAN JUMA & CO.L.L.C.; P.O. Box 3566; Postal Code 112; Ruwi; (+968)70 31 70; (+968)70 83 05; sjuma@email.com
Sverige; Metabo Sverige AB; Skiffervägen 6; ; 553 03 Jönköping; (+46) 36 - 10 06 60; (+46) 36 - 16 07 54; mwidell@metabo.dk
Sverige; HDF - Bolagen AB ; Svarvaregatan 5; P.O.Box 525; 30180 Halmstad; (+46) 35 - 154400; (+46) 35 - 104835; bo.rosenbaum@hdf.se
Thailand; SSM - Sri Siam Mongkol Co., Ltd; 1570-1576 Krung Kasem RD.; ; Pomprab Bangkok 10100; (+66) 2 - 3 28 11 89; (+66) 2 - 3 28 13 04; vinai@ssm.co.th
Tunisia; L'Equipement Moderne; 86, Ave. de Carthage; ; 1000 Tunis; (+216) 1 - 25 83 92; (+216) 1 - 35 18 45; equipement-moderne@planet.tn
Turkey; Burla A.S.; Voyvoda Cad. 61-65; ; 80003 Karaköy-Istanbul; (+90) 212 - 2 56 49 50; (+90) 212 - 2 38 98 26; elalet@burla.com
Ukraine; Comservice; Ukrainian-Russian Joint Venture 2; Narodnogo Opolcheniaya; 03 151 Kiev; (+380) 44 - 2 45 94 34; (+380) 44 - 2 45 93 65; comserv@ukrnet.net
United Arab Emirates; Sedana Trading Co; P.O. Box 1919; ; Sharjah; (+971) 6 - 533 05 51 ; (+971) 6 - 533 73 68; sedana@emirates.net.ae
Venezuela; OLY-COPIA C.A.; 3 ra Transversal Los Ruices ; Edificio Principal II, Piso 4; Caracas 1071; (+58) 212 - 2 37 30 22; (+58) 212 - 2 39 23 65; masmus@olycopia.com
Vietnam; HUU HONG MACHINERY CO., LTD.; 157-159 Xuan Hong Street, Ward 12; Tan Binh District; Ho Chi Minh City; (+84) 8 - 811 74 54; (+84) 8 - 811 63 38; TVTLinh@hcm.fpt.vn
Yugoslavia; WHM WOBY HAUS MARKT; Brace Ribnikara 55; ; 21000 Novi Sad; (+38) 12 15 28 56; (+38) 12 15 24 57; wobyl@Eunet.yu